

HYDROTHUNDERTM

CHAPTER FOUR

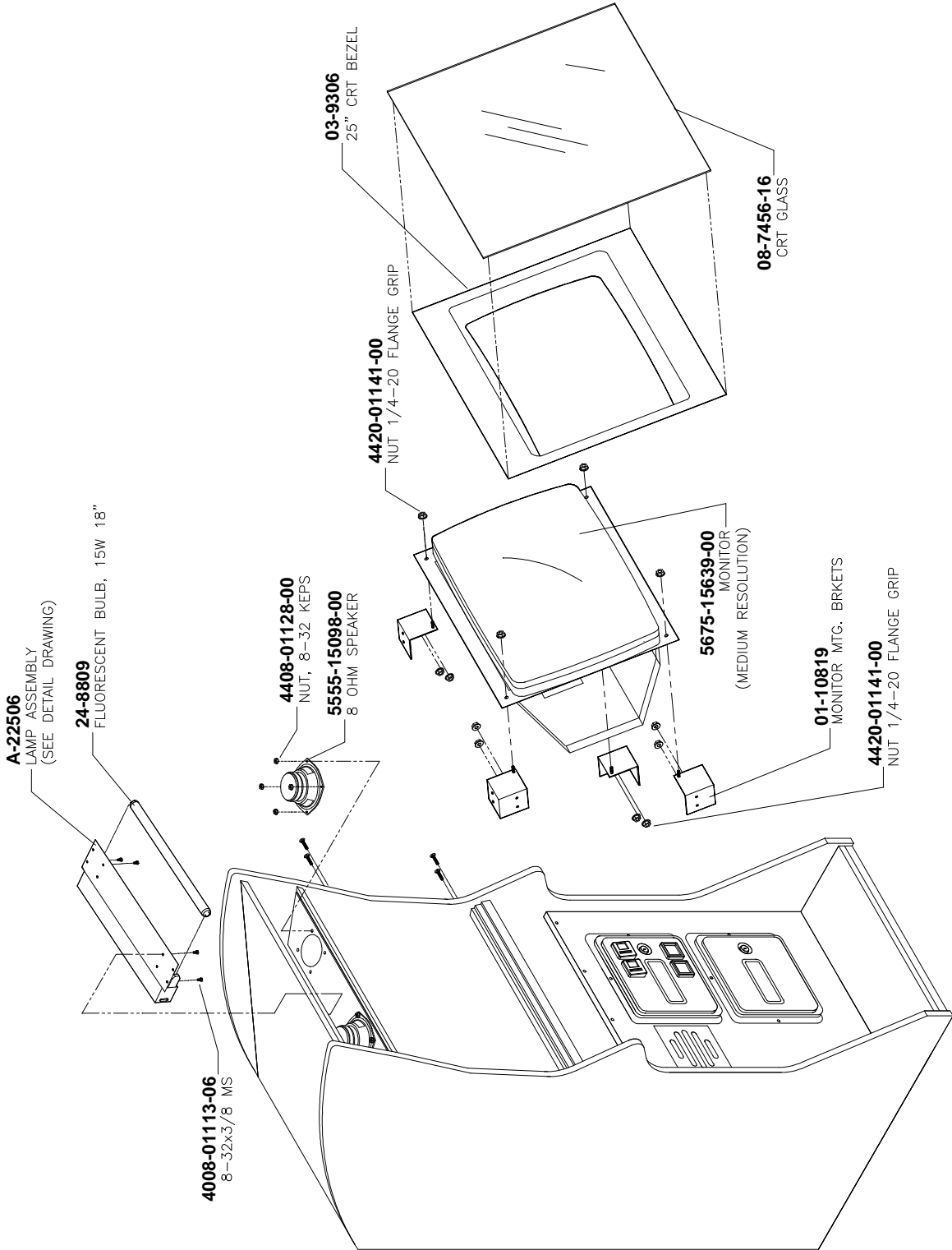
PARTS



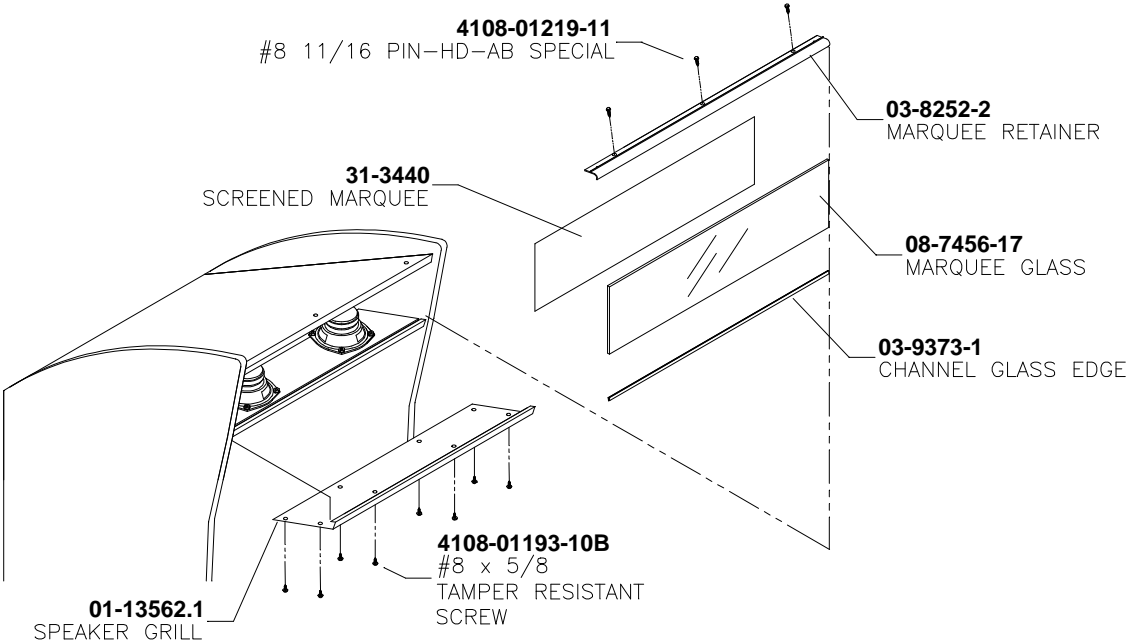
WARNING: USE OF NON-MIDWAY PARTS OR CIRCUIT MODIFICATIONS MAY CAUSE SERIOUS INJURY OR EQUIPMENT DAMAGE! USE ONLY MIDWAY AUTHORIZED PARTS.

For safety and reliability, substitute parts and modifications are not recommended. Substitute parts or modifications may void EMC directives or FCC type acceptance.

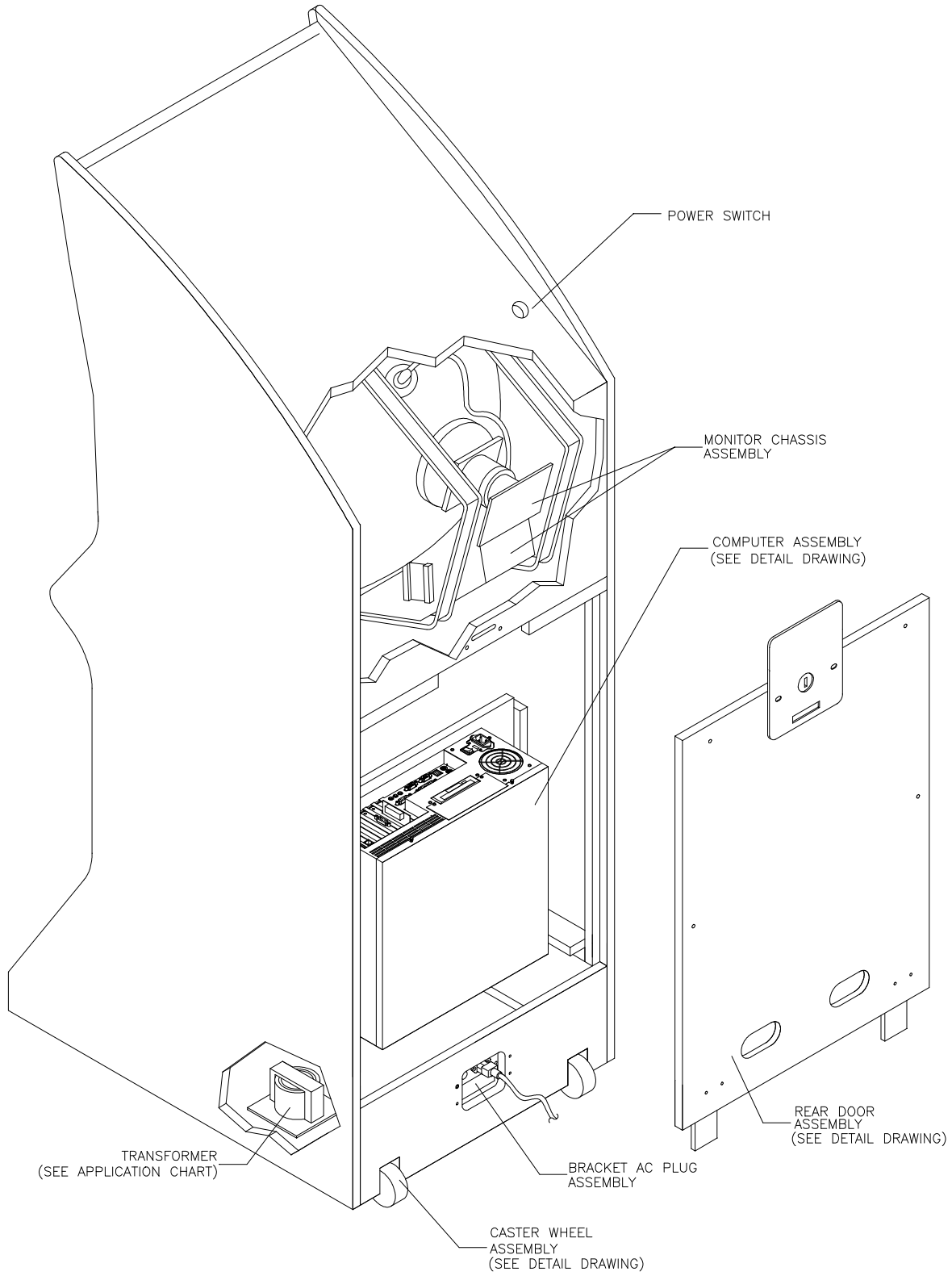
CABINET FRONT VIEW



MARQUEE ASSEMBLY

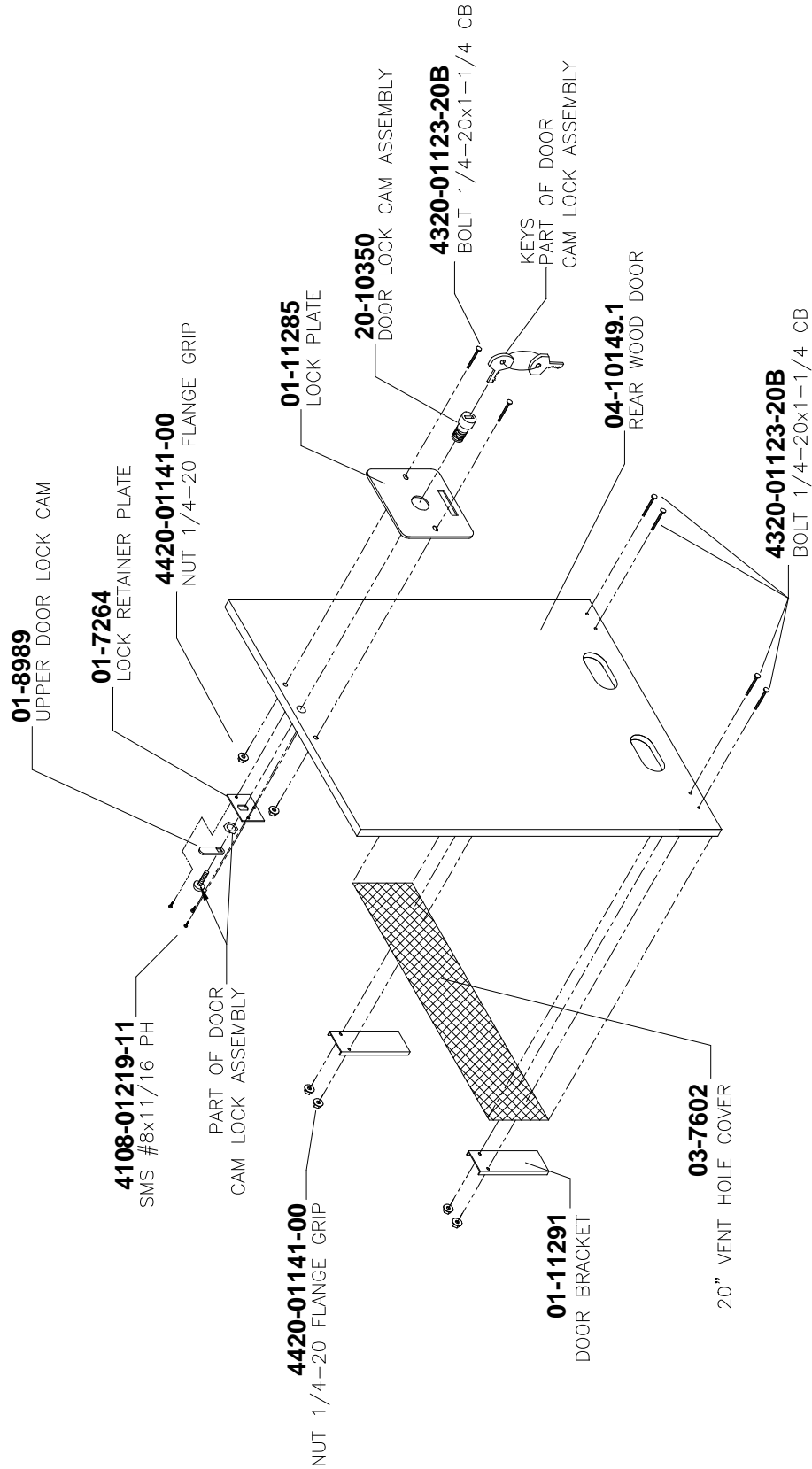


CABINET REAR VIEW



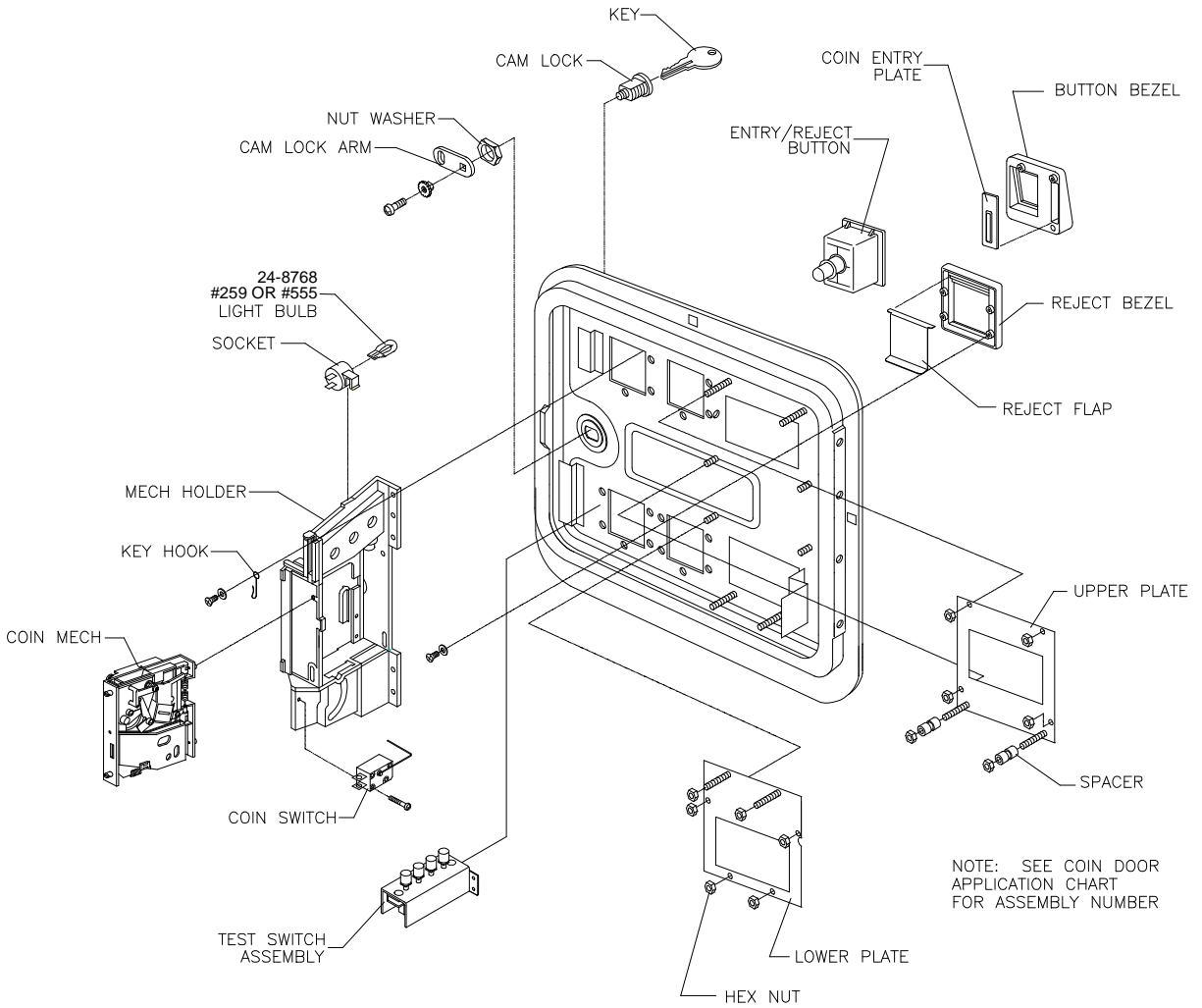
REAR DOOR ASSEMBLY

A-20281



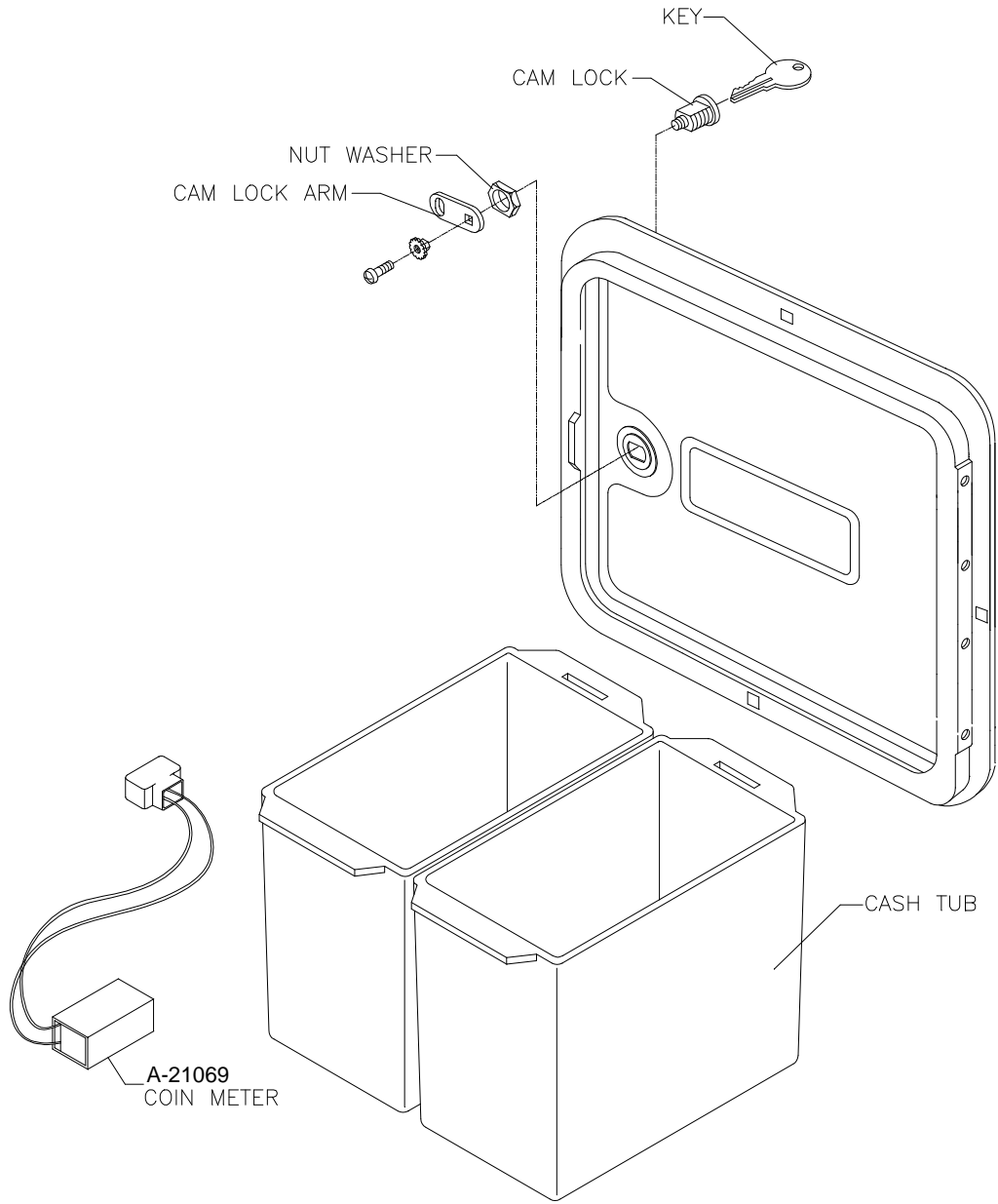
COIN DOOR ASSEMBLY

(See coin door application chart for assembly and part numbers)



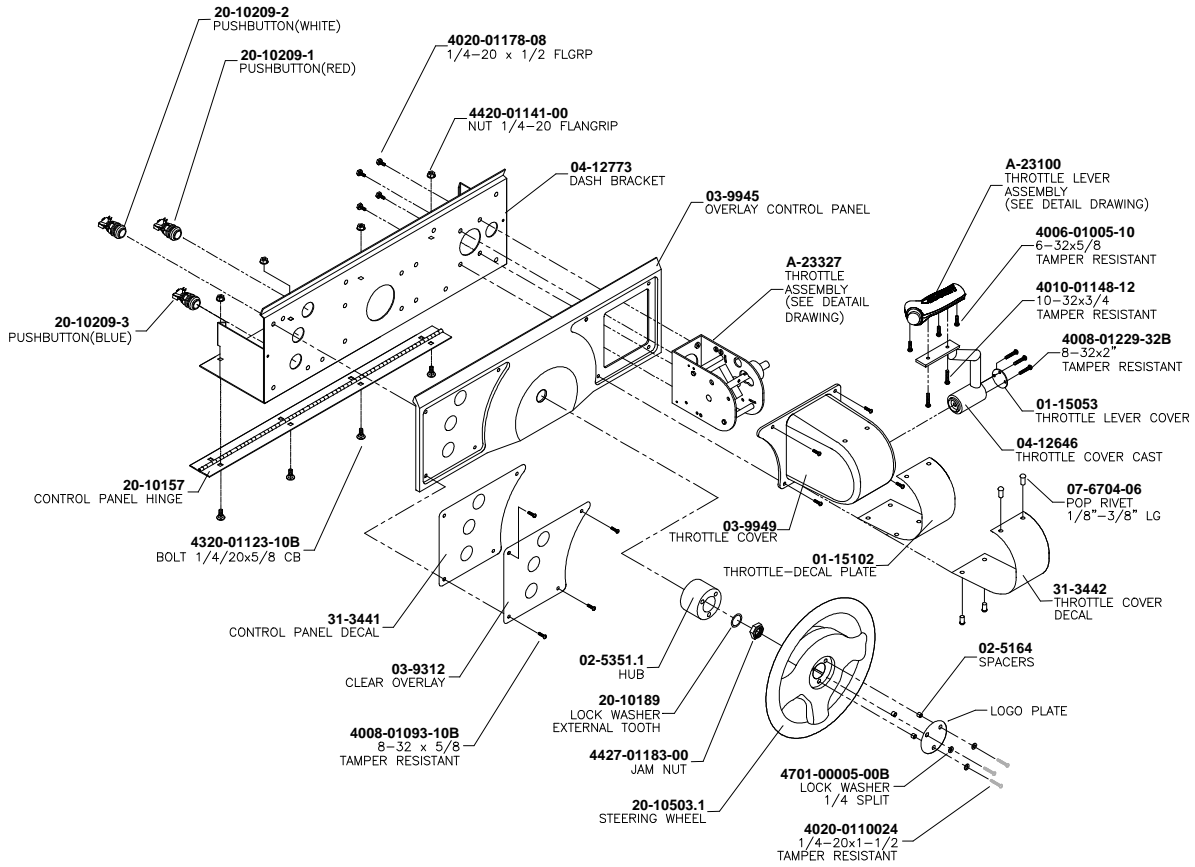
COIN DOOR ASSEMBLY cont'd

(See coin door application chart for assembly and part numbers)



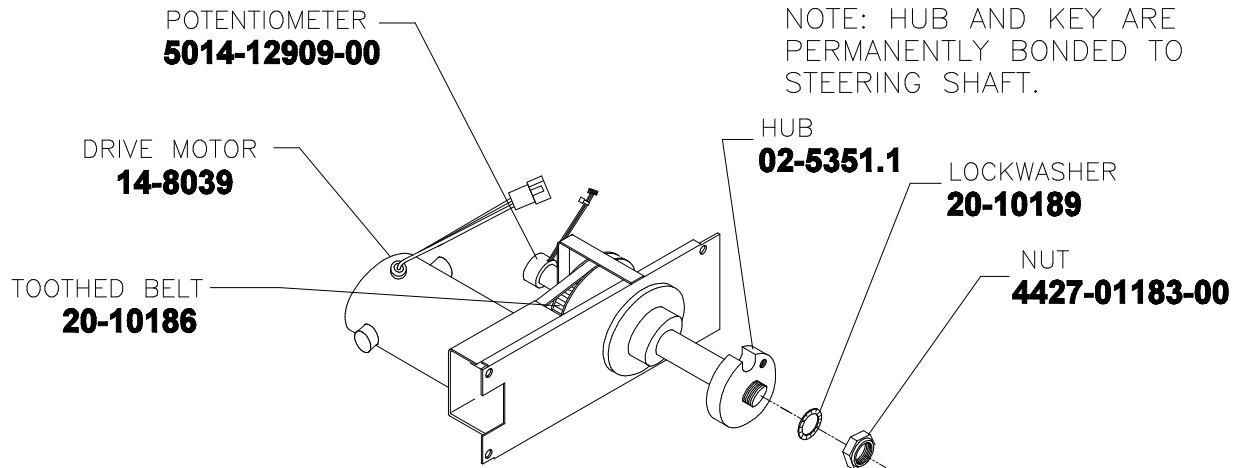
DASH ASSEMBLY

A-23303



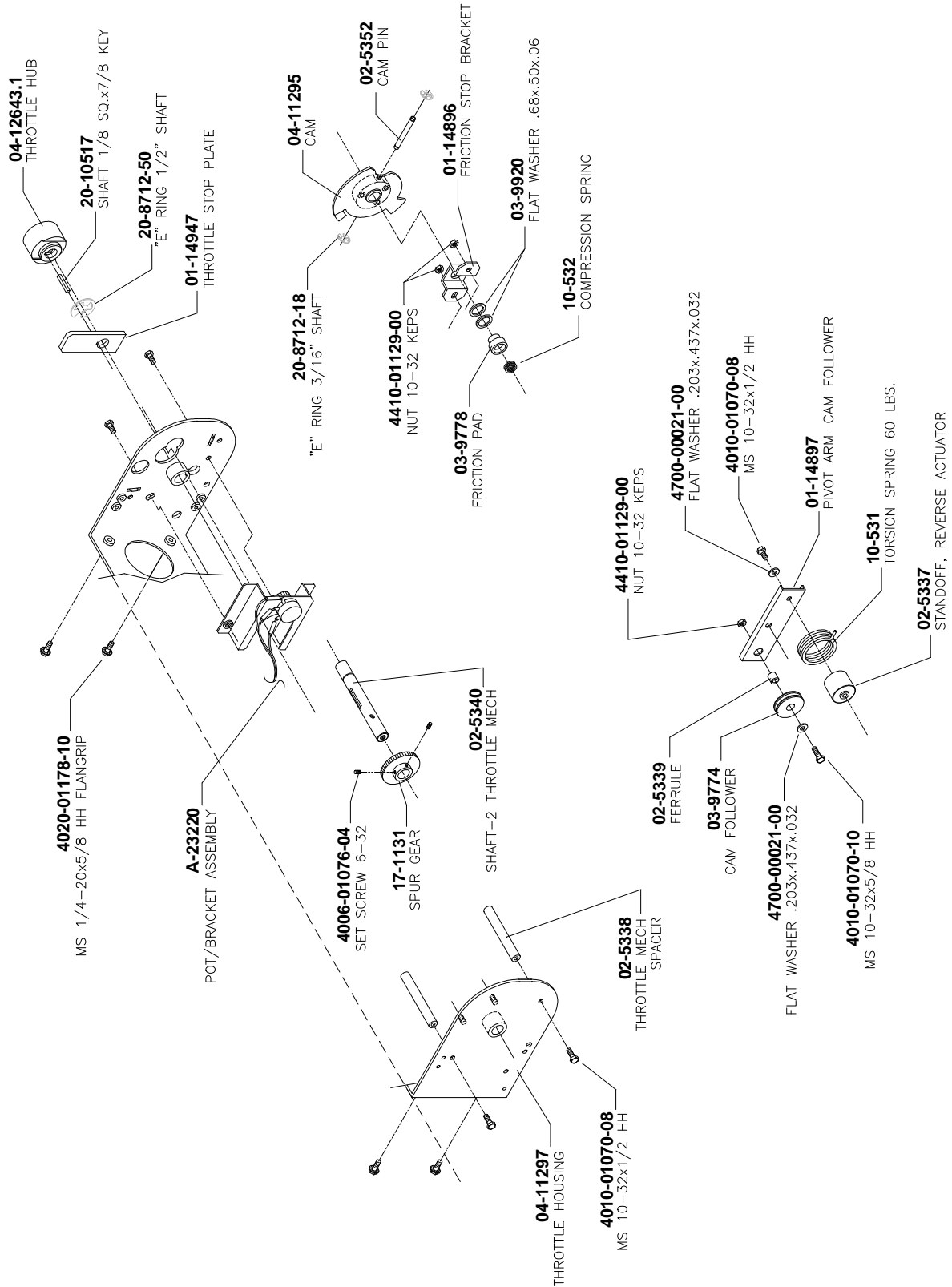
STEERING MECHANISM

20-10134



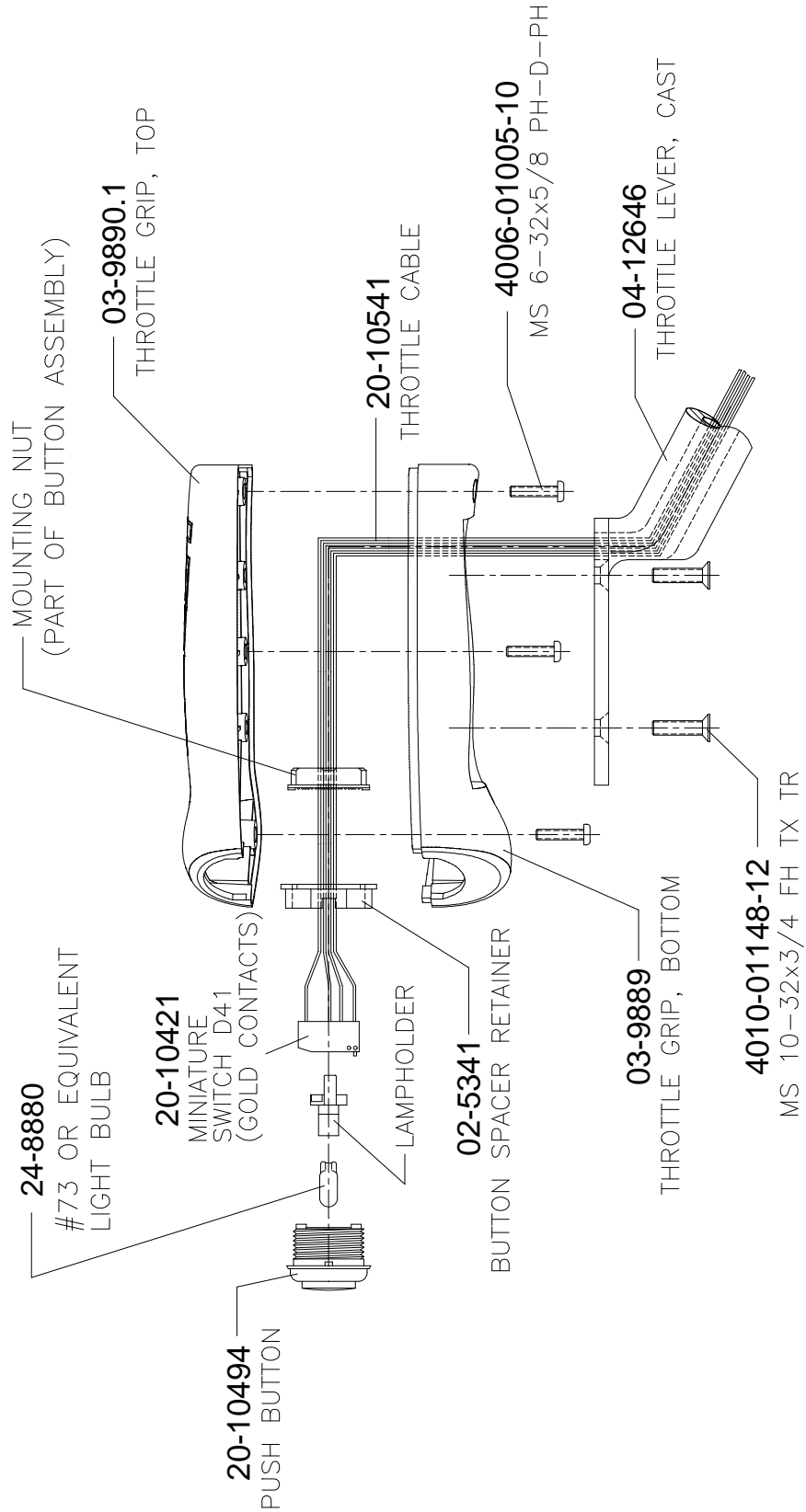
THROTTLE ASSEMBLY

A-23327



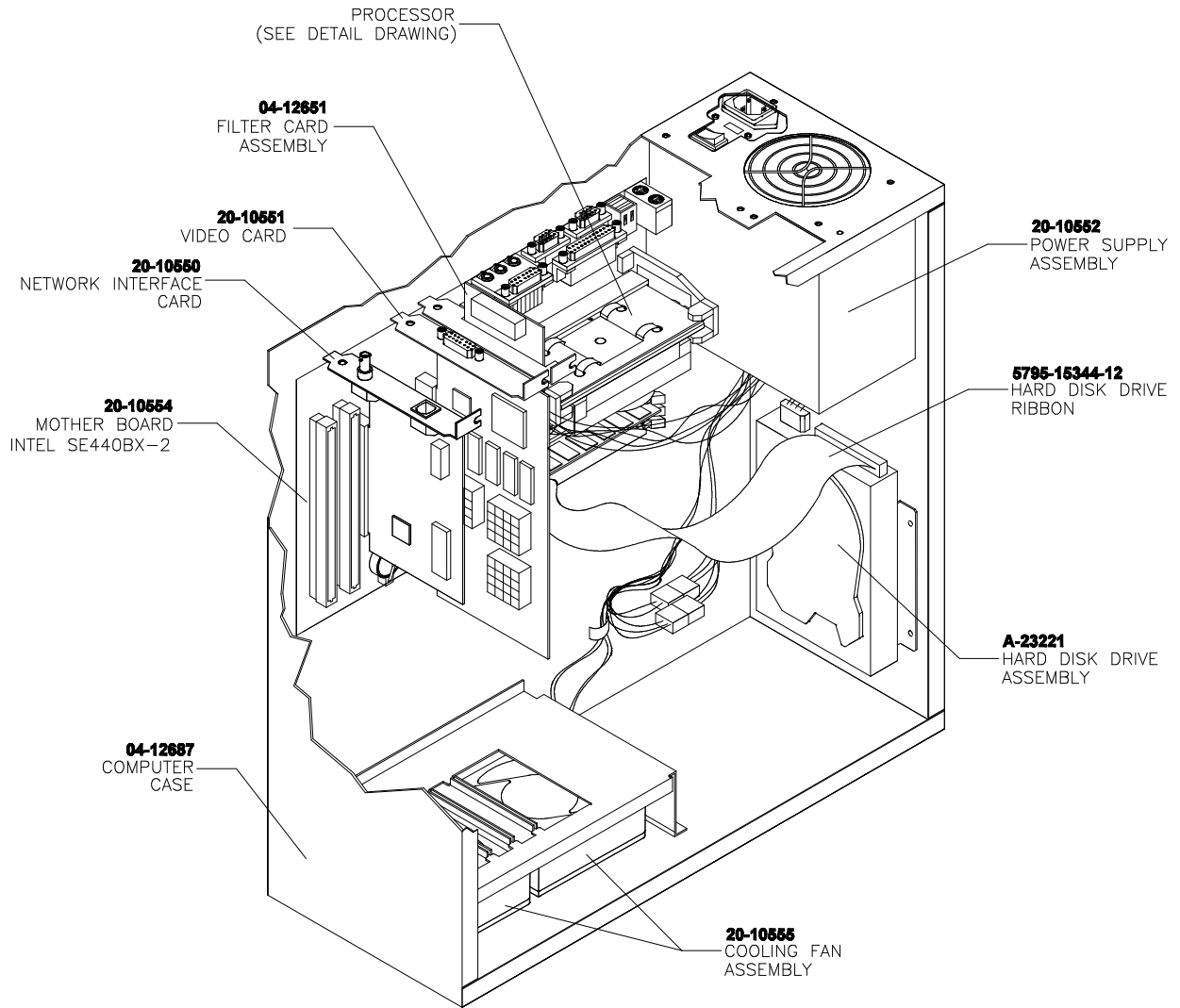
THROTTLE LEVER ASSEMBLY

A-23100

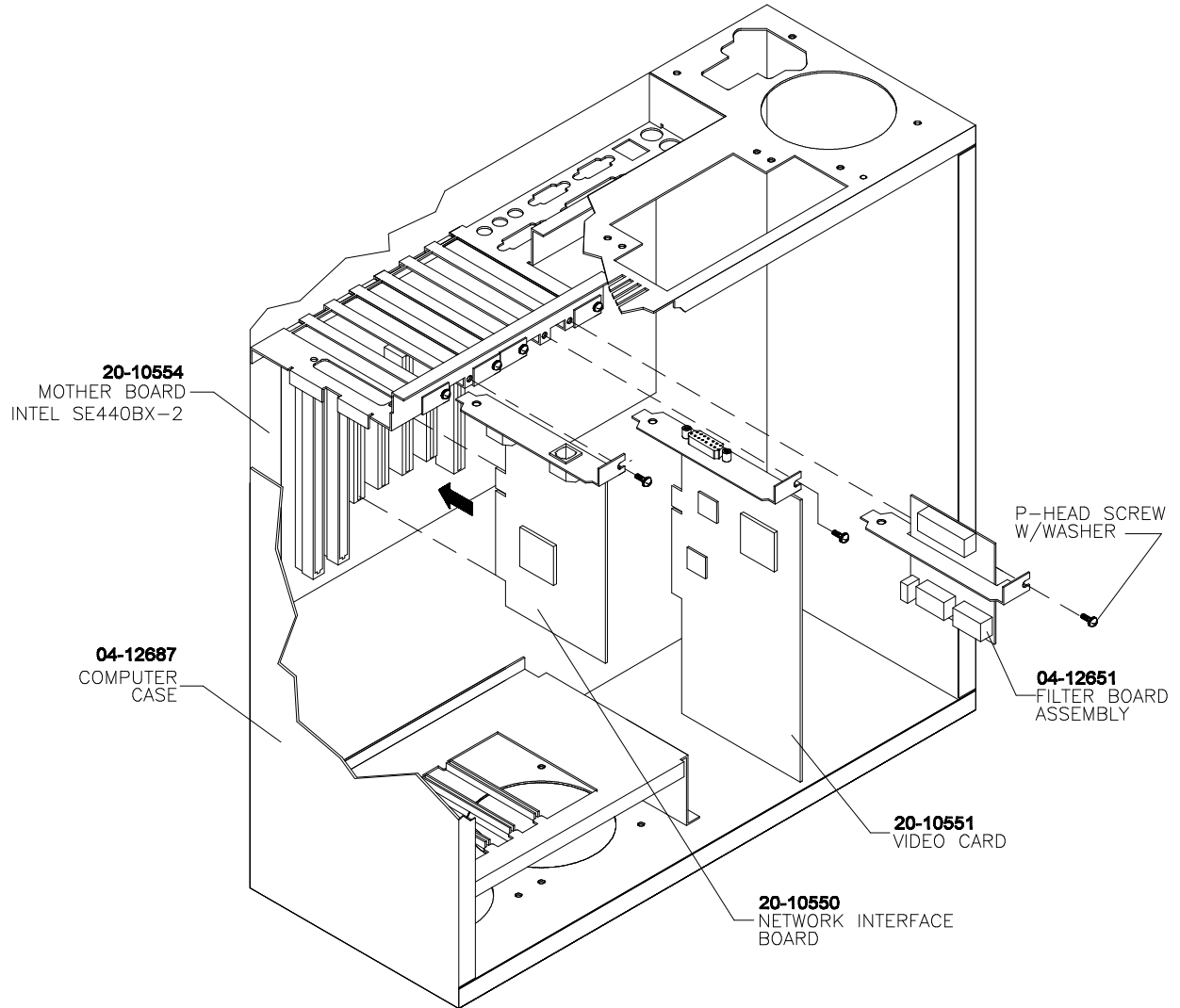


ARCADE COMPUTER ASSEMBLY

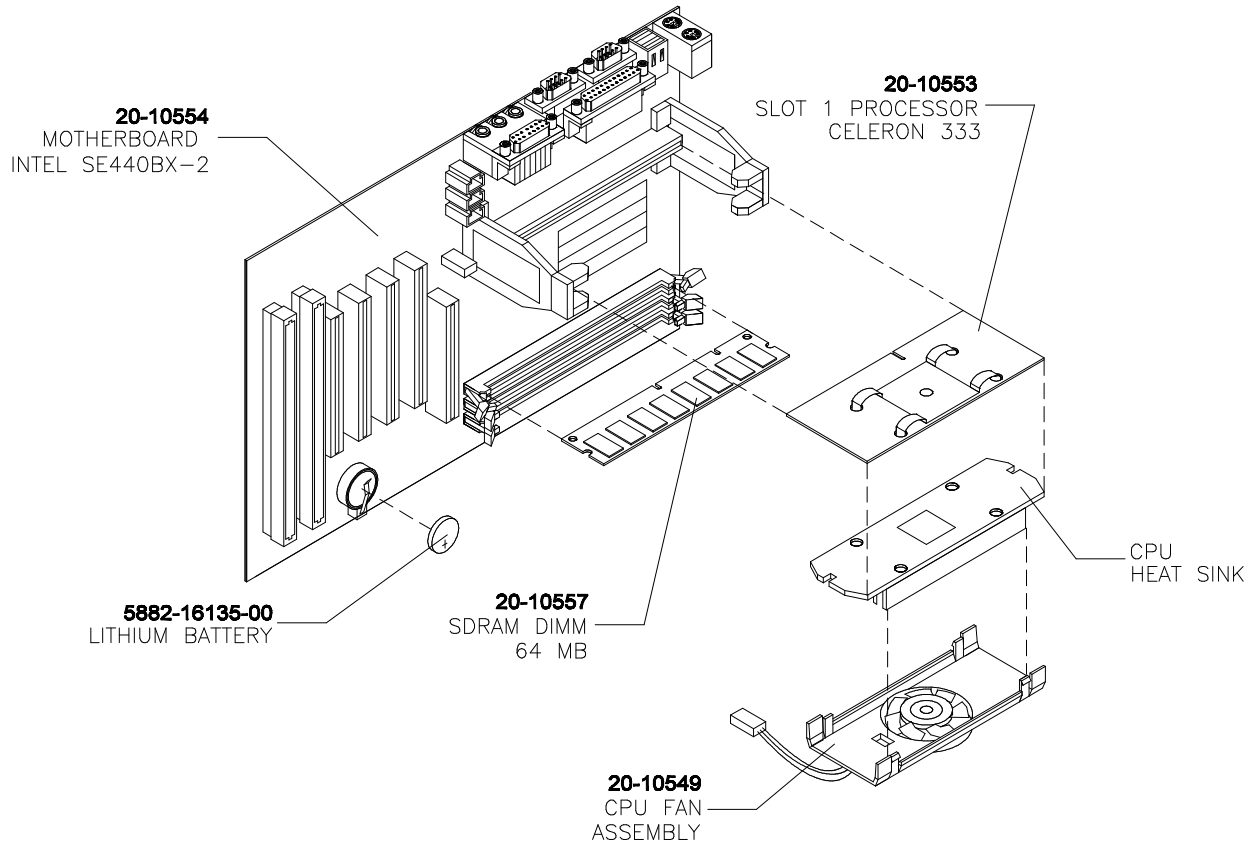
04.12574.2



ARCADE COMPUTER MOTHERBOARD AND PERIPHERAL CARDS



ARCADE COMPUTER MOTHERBOARD AND CPU



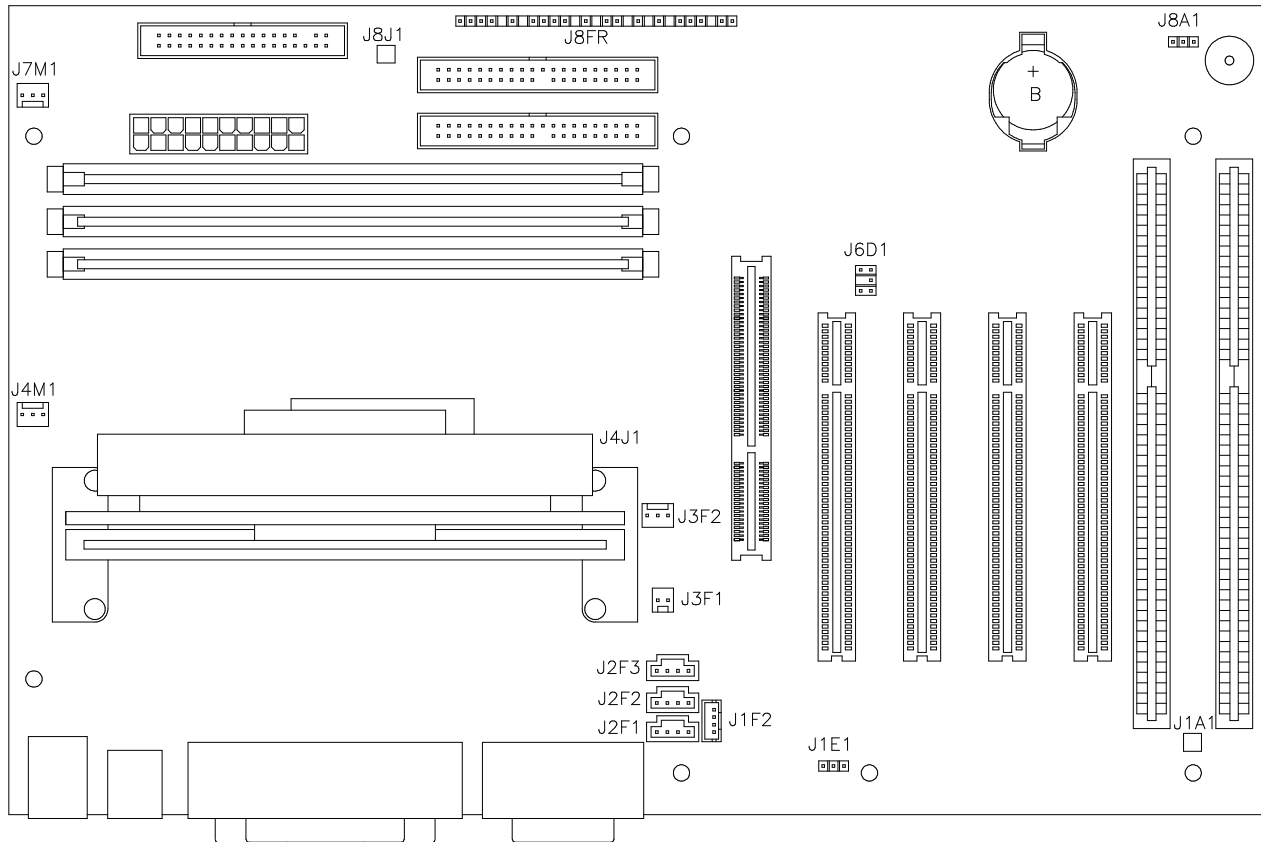
NOTE 1: Although This Motherboard Is A Stock Item Used On Many Personal Computers, It Requires A Custom Operating System To Function In This Game.

NOTE 2: DIMM and CPU modules from other manufacturers may be electrically equivalent or better than those illustrated here, but performance has not been verified with alternate components. Check with your distributor for information before attempting to use other than factory authorized parts.

NOTE 3: Celeron and Slot 1 are registered trademarks of Intel.

COMPUTER MOTHERBOARD ASSEMBLY

20-10554

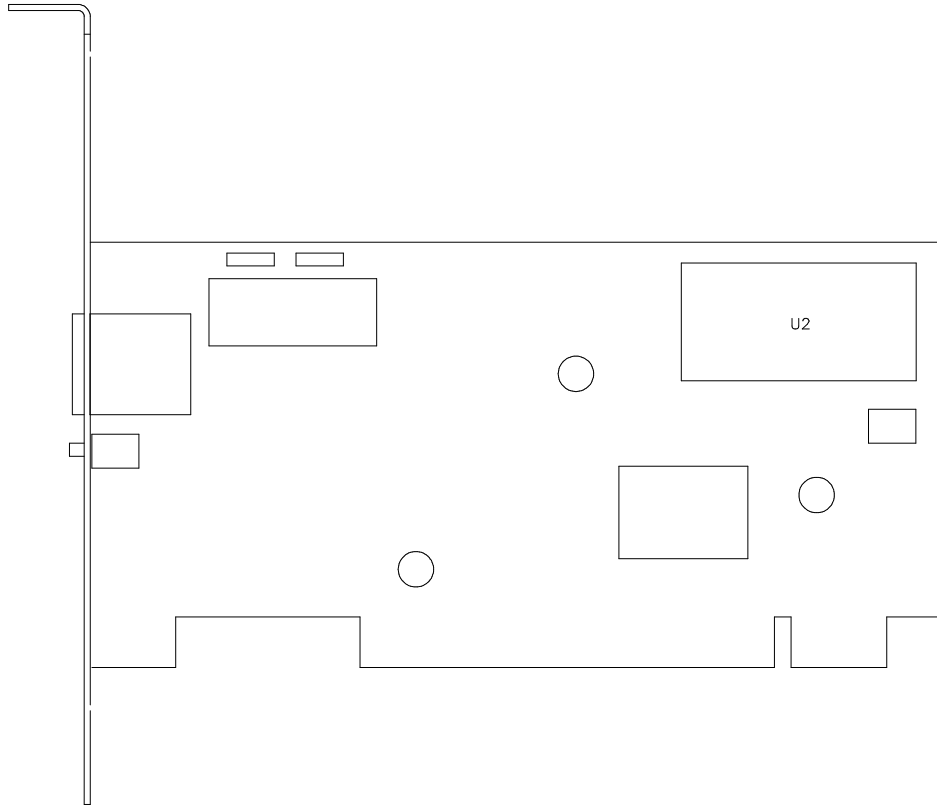


Field Replaceable Parts

DESIGNATION	PART NUMBER	FUNCTION	DESCRIPTION
B	5882-16135-00	Memory Backup	3Volt Lithium Battery
FAN	20-10549	Processor Cooling	Fan with Bracket
J8A1	5882-13046-00	Shunt Jumper	Startup Configuration
--	20-10553	Processor Assembly	Celeron 333 Processor
--	20-10557	Dual Inline Memory Module	64MB SDRAM DIMM

NETWORK INTERFACE CARD ASSEMBLY

20-10550

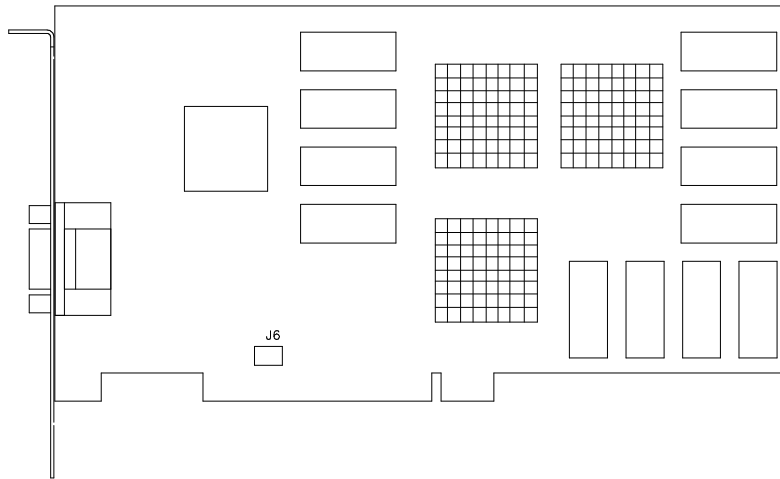


Field Replaceable Parts

DESIGNATION	PART NUMBER	FUNCTION	DESCRIPTION
U2	--	Instruction ROM	Not required in this game

VIDEO GRAPHICS CARD ASSEMBLY

20-10551

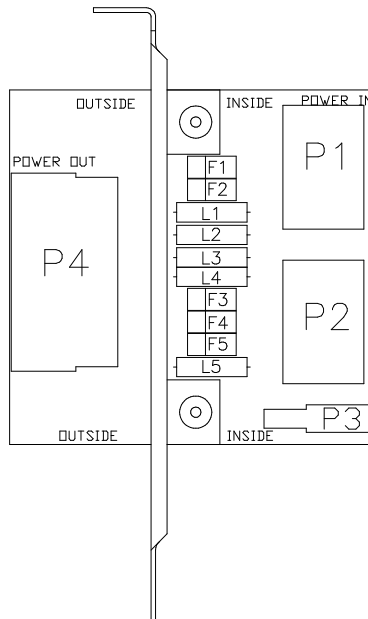


Field Replaceable Parts

DESIGNATION	PART NUMBER	FUNCTION	DESCRIPTION
J6	--	Graphics Mode Select	Not required in this game

FILTER CARD ASSEMBLY

04-12651

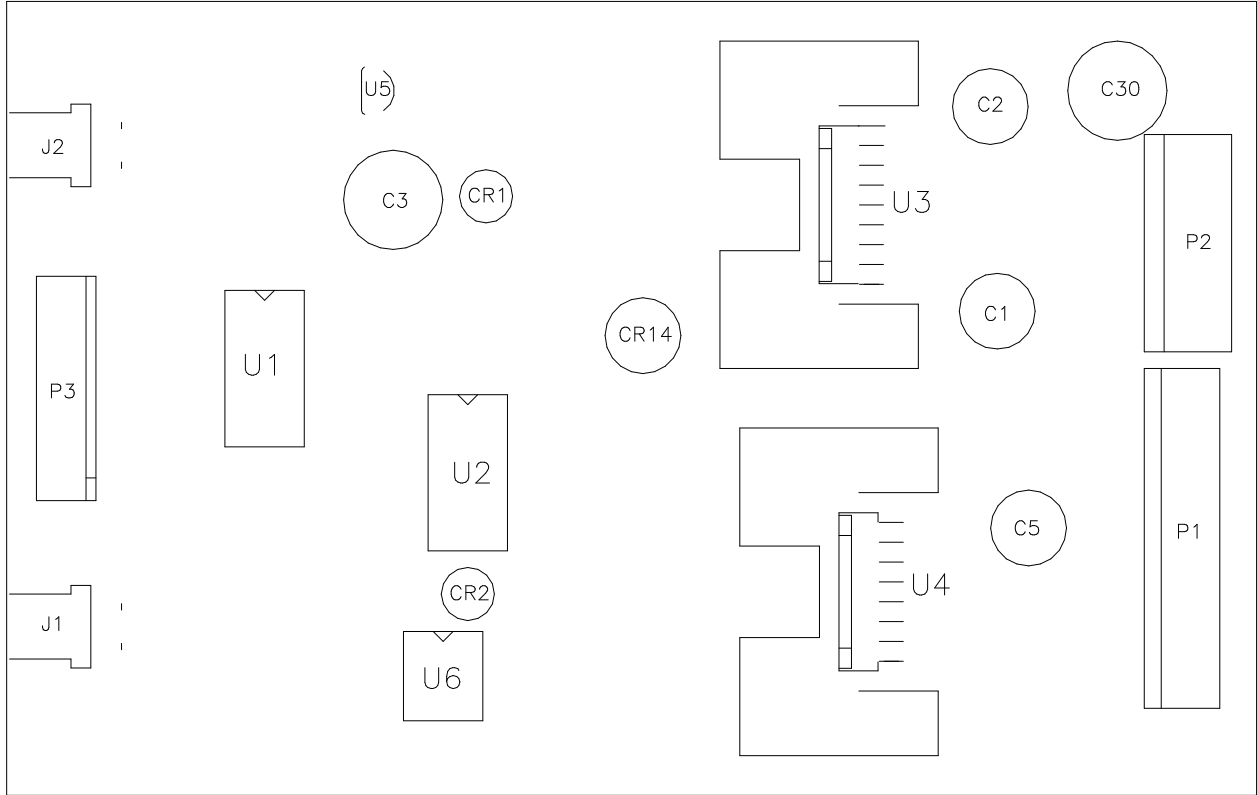


Field Replaceable Parts

DESIGNATION	PART NUMBER	FUNCTION	DESCRIPTION
F1-F5	5060-15633-00	EMI Filter	2200 pF Dual Capacitor
L1-L5	5556-14181-00	EMI Filter	Ferrite Bead Inductor

AUDIO AMPLIFIER BOARD ASSEMBLY

04-12529.1

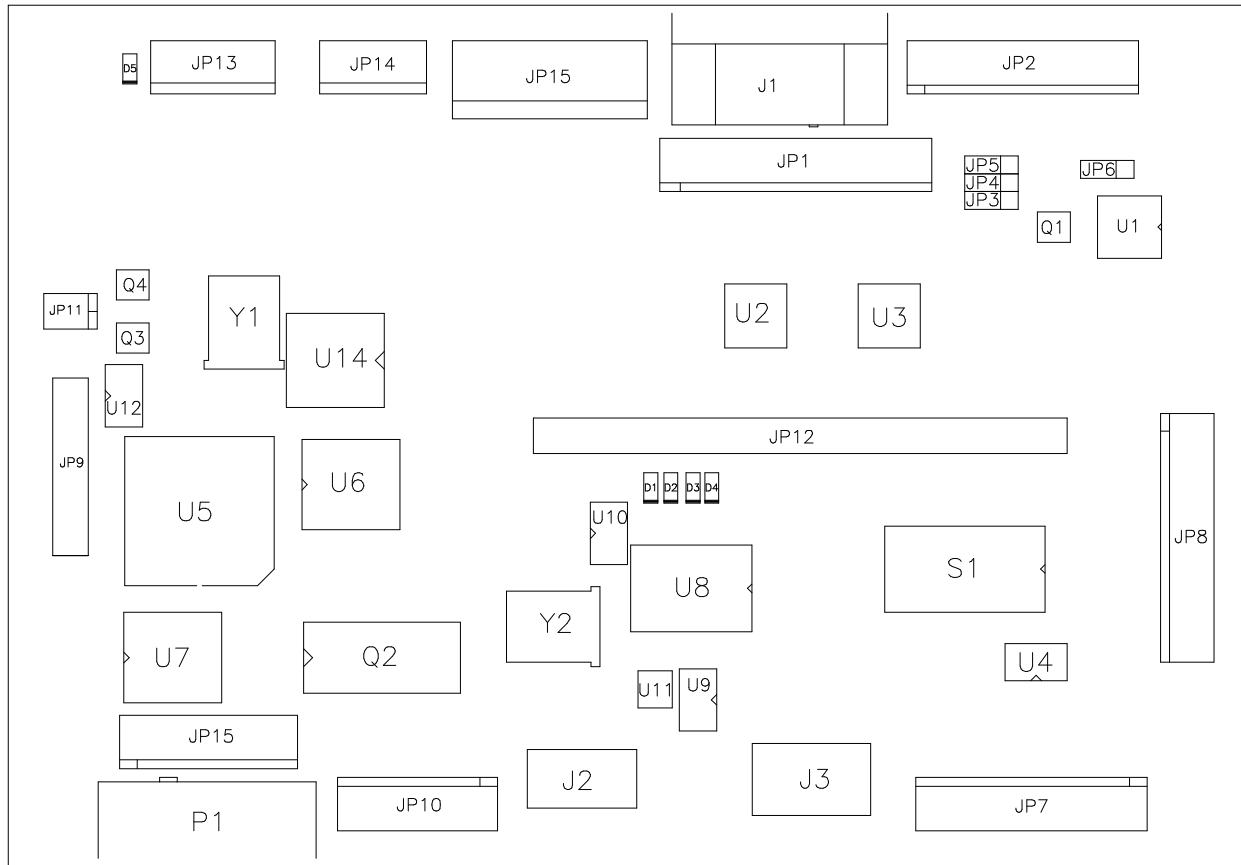


Field Replaceable Parts

DESIGNATION	PART NUMBER	FUNCTION	DESCRIPTION
U1-U2	5370-15163-00	Audio Amplifier	LM3403 Quad Amplifier
U3	5370-15984-00	Audio Output	TDA1560Q Power Amplifier
U4	5370-15833-00	Audio Output	TDA7375 Power Amplifier
U5	5250-13302-00	Voltage Regulator	+5VDC 5% Fixed Regulator
U6	--	None	Not required in this game

DIEGO INTERFACE BOARD ASSEMBLY

04-12522.4

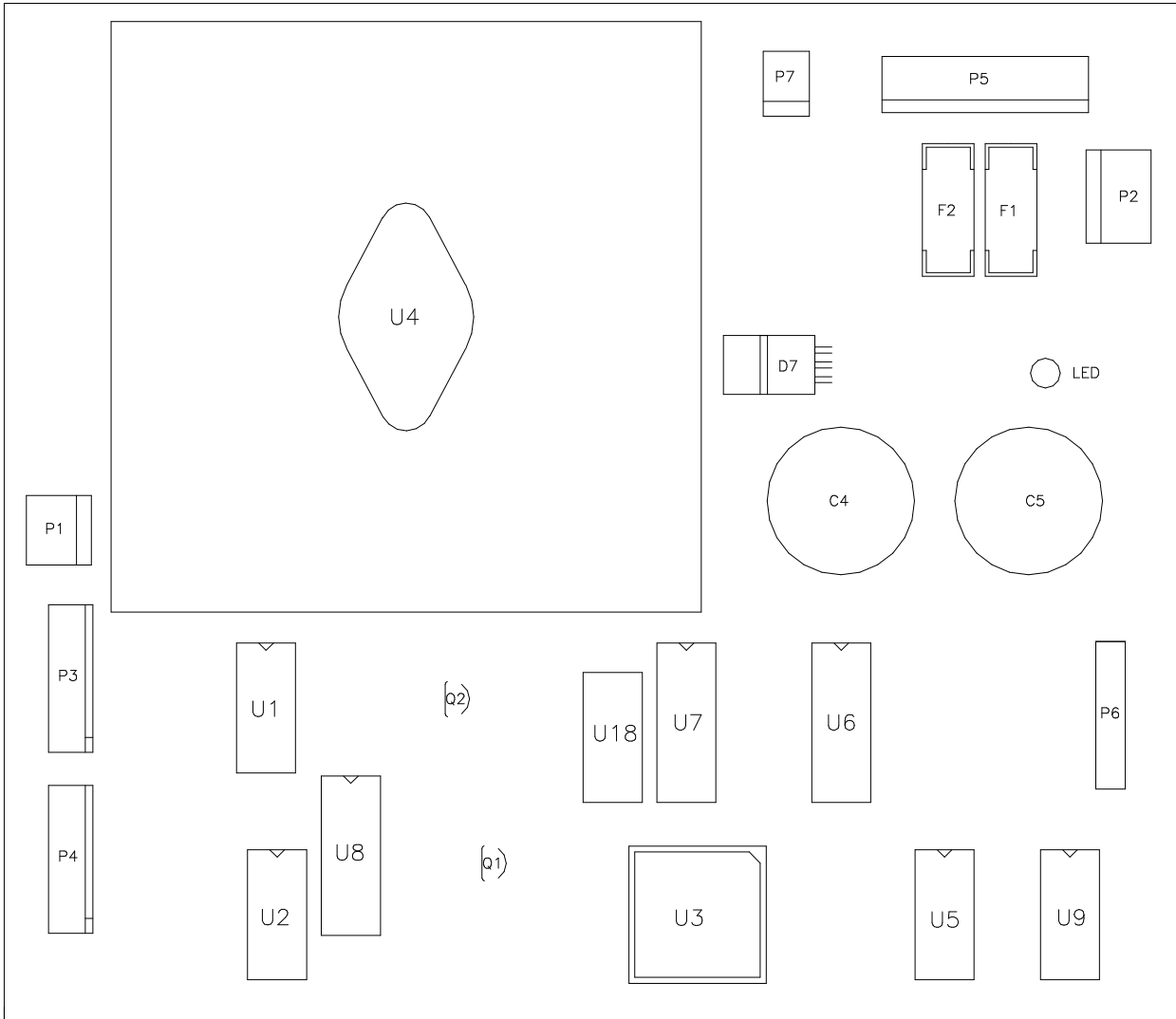


Field Replaceable Parts

DESIGNATION	PART NUMBER	FUNCTION	DESCRIPTION
L37	5551-16093-00	EMI Filter	47uH Inductor
Q1	5190-15997-00	Transistor	2N2369 NPN
Q2	5370-12602-00	Driver Circuit	ULN2064B IC
Q3-Q4	5160-14035-00	Transistor	2N3904 NPN
U11	5370-16103-00	Voltage Regulator	LM34801-3.3

WHEEL DRIVER BOARD ASSEMBLY

04-11127



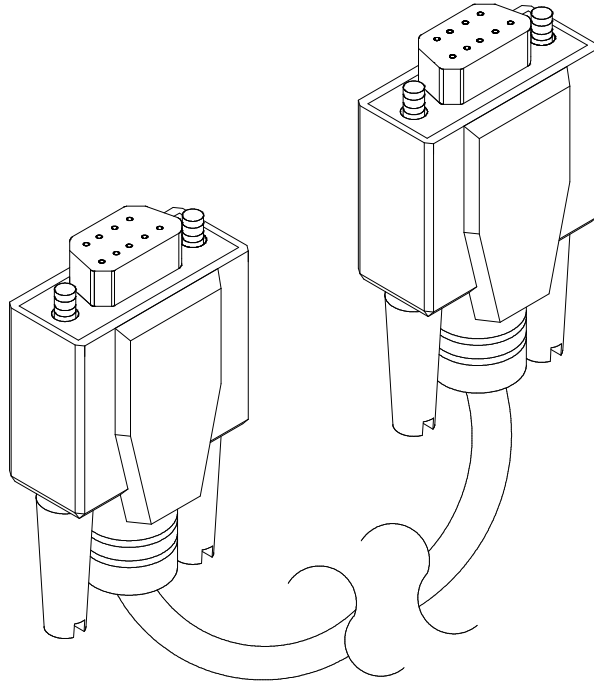
Field Replaceable Parts

DESIGNATION	PART NUMBER	FUNCTION	DESCRIPTION
BR1	5100-13945-00	Bridge Rectifier	100V 6A SIP
D2-D3	5070-14526-00	Diode Rectifier	MR751 100V 6A
D7	5070-15115-00	Dual Rectifier	MUR1605 50V 8A SIP
F1-F2	5731-14094-00	Circuit Protection	4A 125V 5x20mm SB Fuse
Q1	5162-08976-00	Transistor	2N6427 NPN
Q2	5160-14035-00	Transistor	2N3904 NPN
U1-U2	5370-12602-00	Driver Circuit	ULN2064B IC
U4	5370-14069-00	Power Driver	LM12 Op Amplifier

ELECTRONIC CABLE ASSEMBLIES

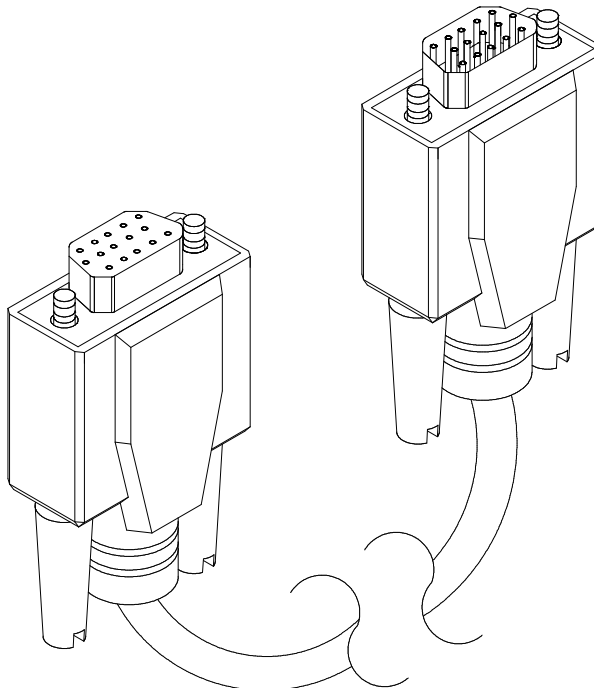
SERIAL COMMUNICATIONS CABLE (NULL MODEM DB-9F TO DB-9F)

20-10532

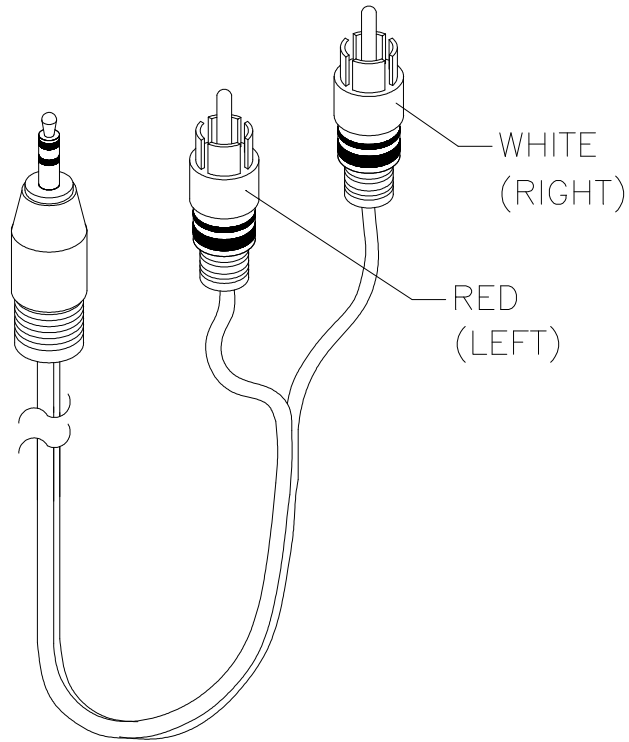


VIDEO COMMUNICATIONS CABLE (SHIELDED DB-15 TO DB-15)

5797-13171-00

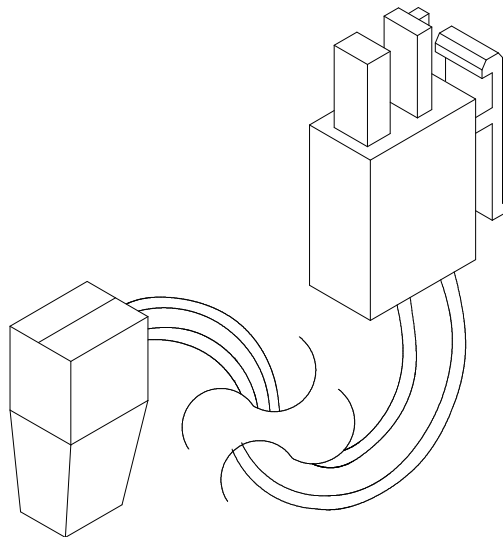


ELECTRONIC CABLE ASSEMBLIES



AUDIO AMPLIFIER CABLE (MINIATURE STEREO PHONE PLUG TO PHONO PLUGS)

04-12578-2

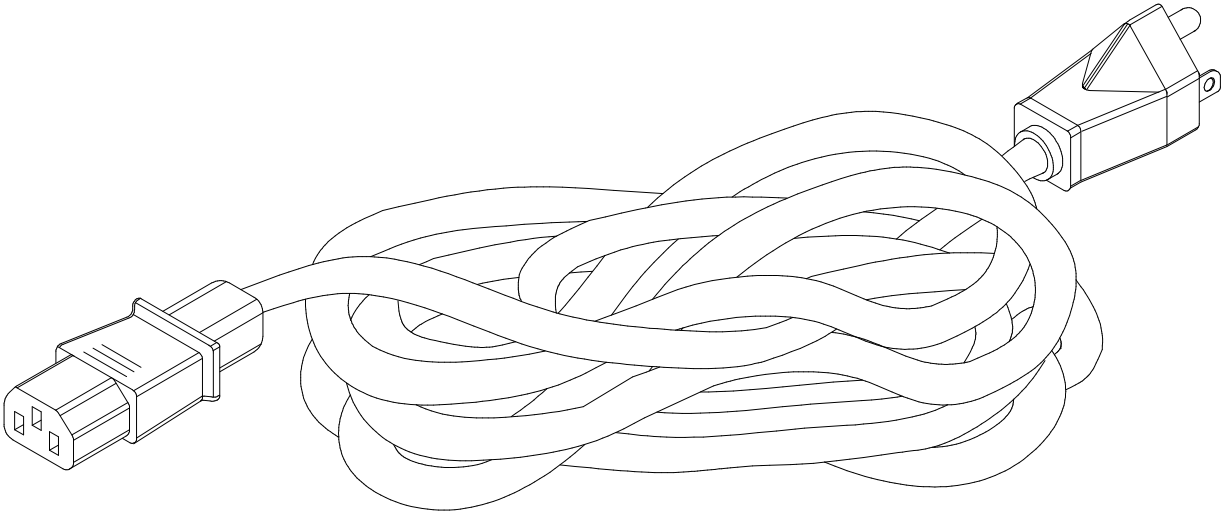


COMPUTER RESET CABLE (2-PIN PLUG TO LOCKING 2-PIN PLUG)

04-12657

LINE CORD APPLICATION CHART

Part Number	5850-13271-00	5850-13272-00	5850-13273-00	5850-13275-00	5850-13276-00	5850-13277-00	5850-13278-00
USA	■						
UK			■				
Italy				■			
Japan							■
New Zealand						■	
Germany		■					
Spain		■					
Denmark		■					
Finland		■					
Holland		■					
Norway		■					
Switzerland					■		
Hungary		■					
Canada	■						
Austria		■					
France		■					
Australia						■	
Belgium		■					
Saudi Arabia		■					
India		■					
Indonesia			■				



TYPICAL LINE CORD

COIN DOOR APPLICATION CHART

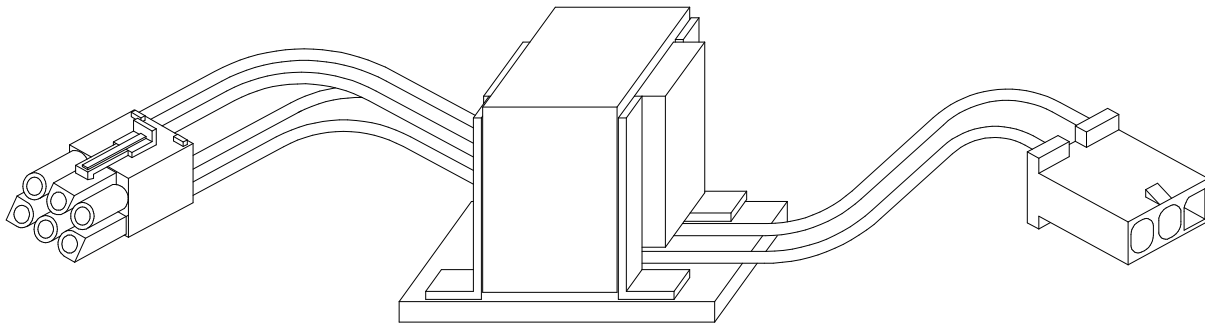
ELECTRO-MECHANICAL COIN DOOR ASSEMBLIES

Part Number 09-50000-	02	03	06	07	09	11	13	14	15	17	18	20	22	23	24	33	38	86	87
Country																			
USA																■			
UK		■																	
France	■																		
Italy								■											
Japan									■										
New Zealand										■									
Germany	■																		
Spain												■							
Denmark					■														
Finland						■													
Holland							■												
Norway											■								
Switzerland													■						
Hungary														■					
Austria		■																	
Australia			■																
Belgium				■															
Saudi Arabia																	■		

TRANSFORMER APPLICATION CHART

POWER TRANSFORMER ASSEMBLIES

Part Number	5610-14927-00	5610-14926-01	5610-15275-00
Line Power			
120 VAC 60 HZ	■		
230 VAC 50HZ		■	
100 VAC 50HZ			■



TYPICAL POWER TRANSFORMER ASSEMBLY